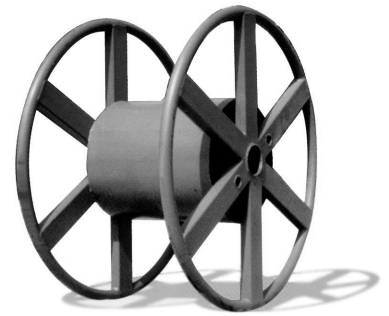


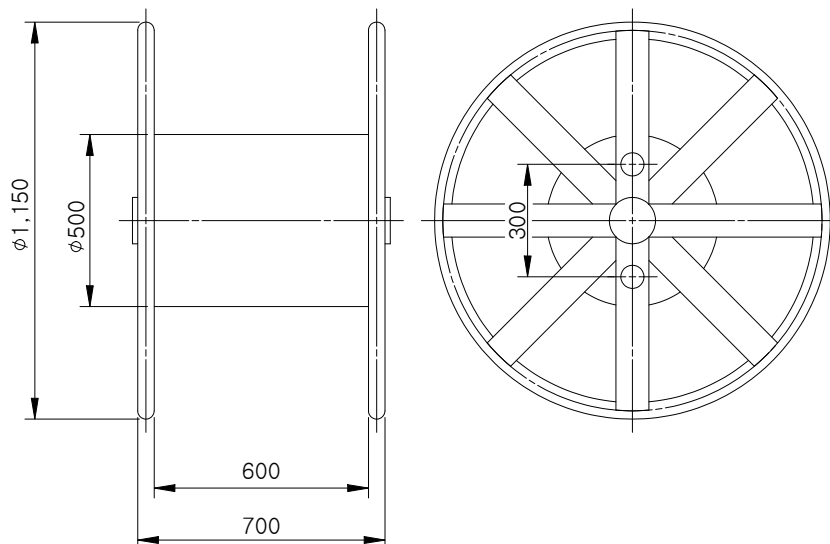
## REEL

Model No. : RL-S

This REEL is made of tubular steel and is protected against corrosion and is designed for being mounted on hydraulic reel winder.



### LAY-OUT (Standard type)



### SPECIFICATION

1. Max. **wire rope capacity** of each reel

- 10 mm dia. : 4,600 m
- 12 mm dia. : 3,200 m
- 14 mm dia. : 2,300 m
- 16 mm dia. : 1,800 m
- 18 mm dia. : 1,400 m
- 20 mm dia. : 1,000 m

2. Weight : Approx. 32 kg (**Without** wire rope)